



EUROPEAN LE MANS SERIES COMMITTEE



TO: Teams Manufacturers

CATEGORY: LMP2 LMP3 LMGTE

DECISION N°: 19-D0001-LMP2-Refuelling_Amended

DATE: 10/04/2019

FROM: The European Le Mans Series Committee

SUBJECT: Refuelling equipment for ELMS LMP2 cars - Amended

APPLICABLE REGULATION

2019 Technical Regulations for LMP2 Prototype Homologated in 2017

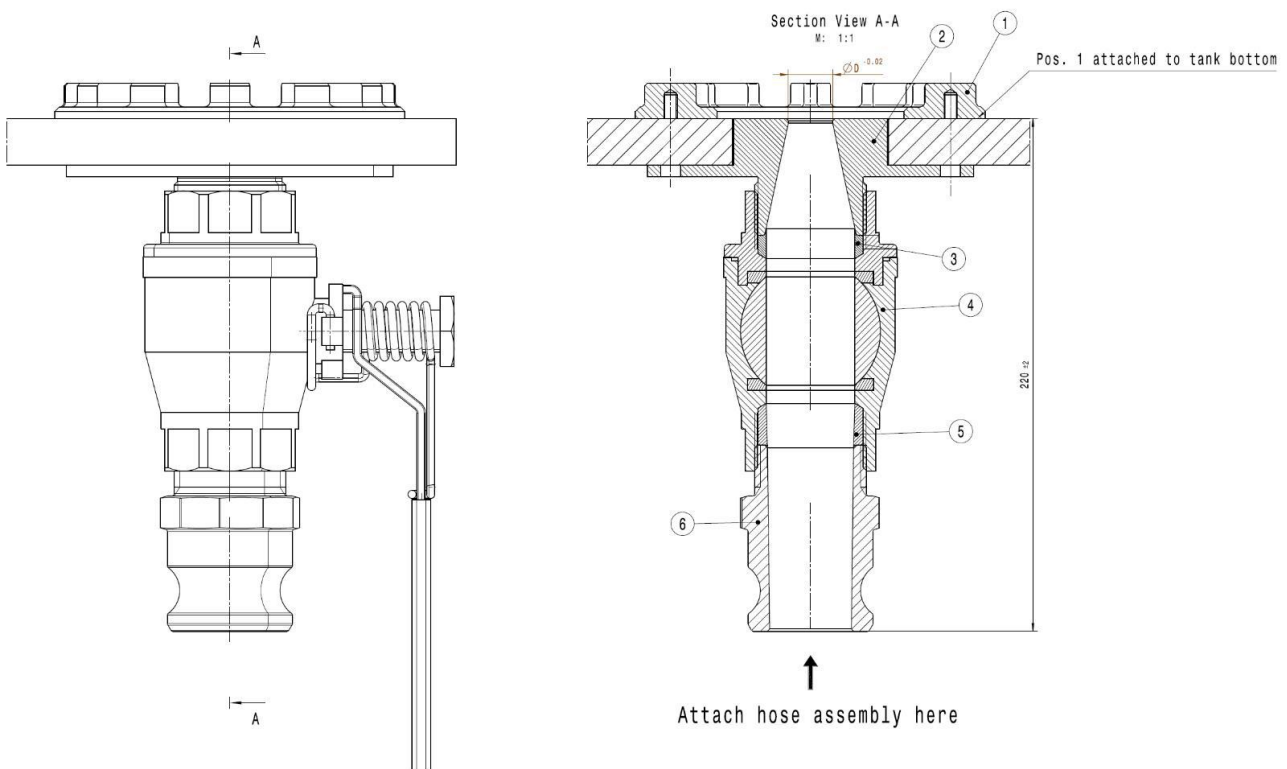
DECISION

The following precautions should be taken:

- 1) It isn't allowed to add any parts inside the prescribed rigid section and or inside the hose
- 2) Only a standard, not modified STAUBLI refueling nozzle can be used.

The following functional dimensions will be mandatory for 2019 ELMS LMP2 refuelling equipment:

GENERAL OVERVIEW



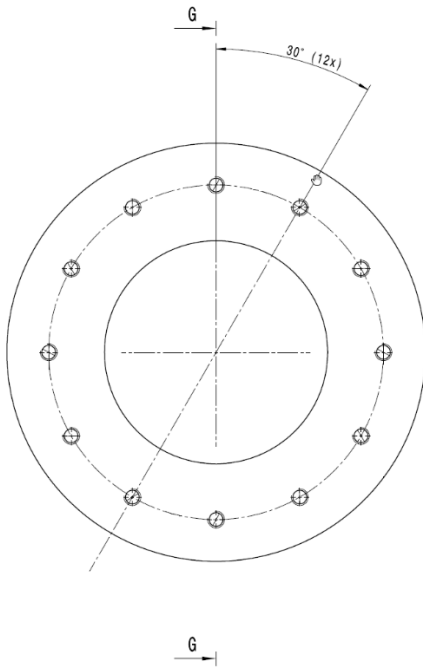


EUROPEAN LE MANS SERIES COMMITTEE

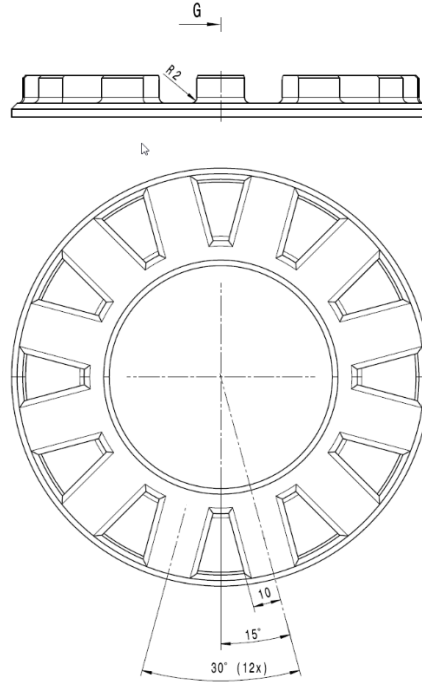
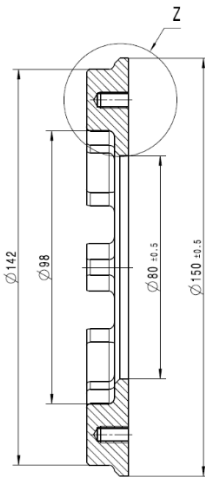


① NUT RING

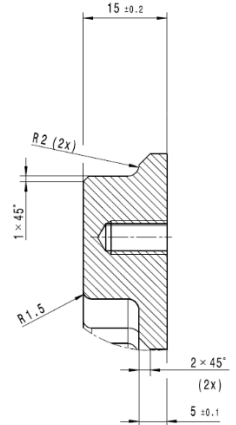
Pos. 1:
Nut Ring
M: 1:1



Section view G-G
M: 1:1



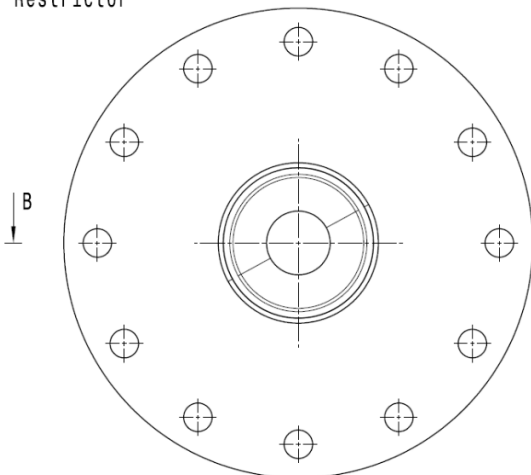
Detail Z
M: 2:1



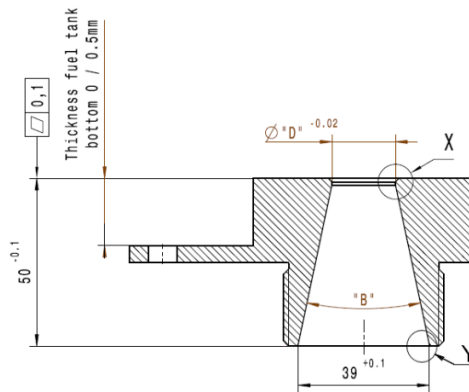
② RESTRICTOR

2019 ELMS LMP2 fuel rig restrictor diameter 'D' = 23.5 mm

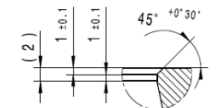
Pos. 2:
Restrictor
M: 1:1



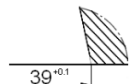
Section view B-B
M: 1:1



Detail X
M: 2:1



Detail Y
M: 2:1



$\varnothing 39$ is the exit diameter of the restrictor before the fillet is machined
"B" is defined as an angle depending of $\varnothing 'D'$ "

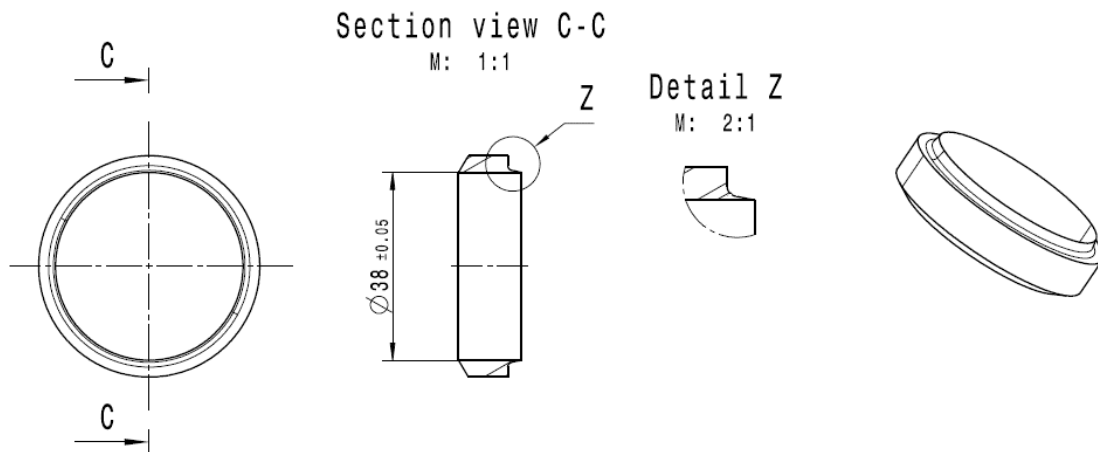


EUROPEAN LE MANS SERIES COMMITTEE

EUROPEAN
LE MANS
SERIES ★

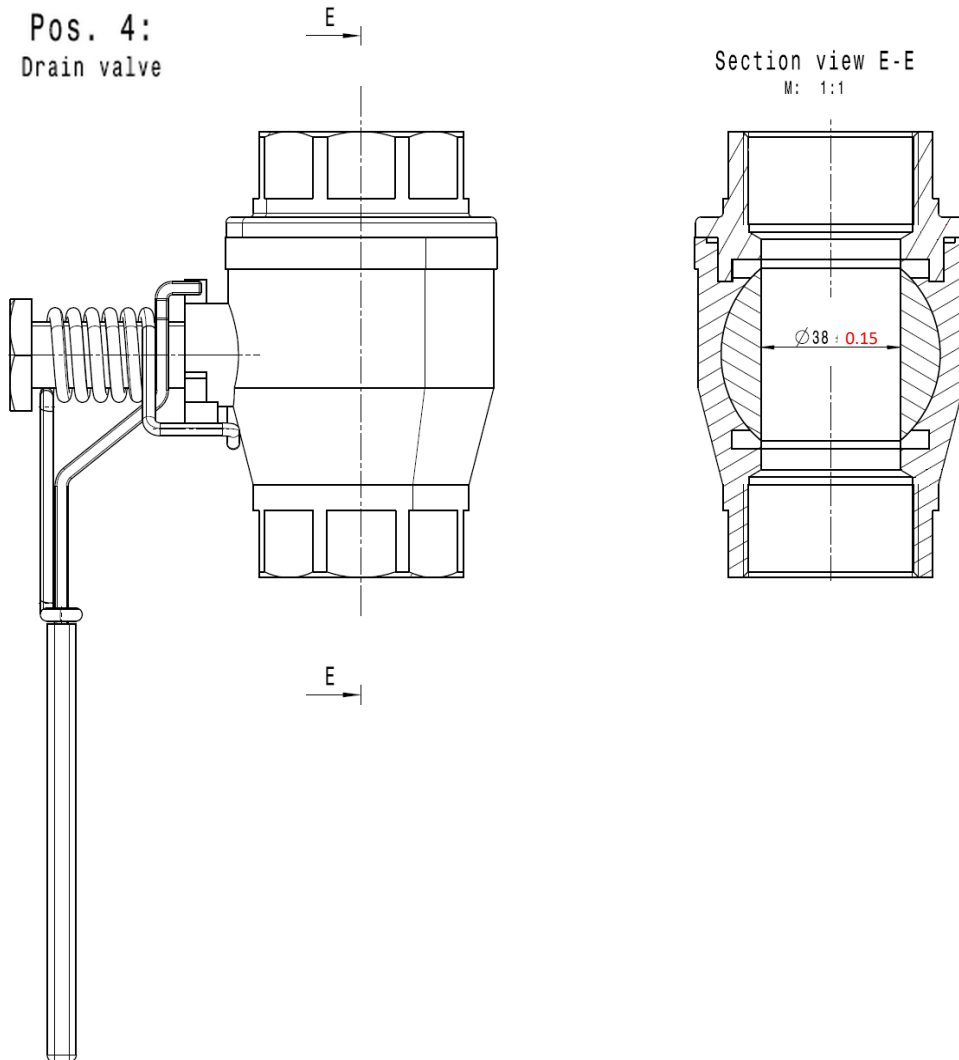
③ ADAPTOR RING

Pos. 3:
Adaptor ring



④ VALVE

Pos. 4:
Drain valve



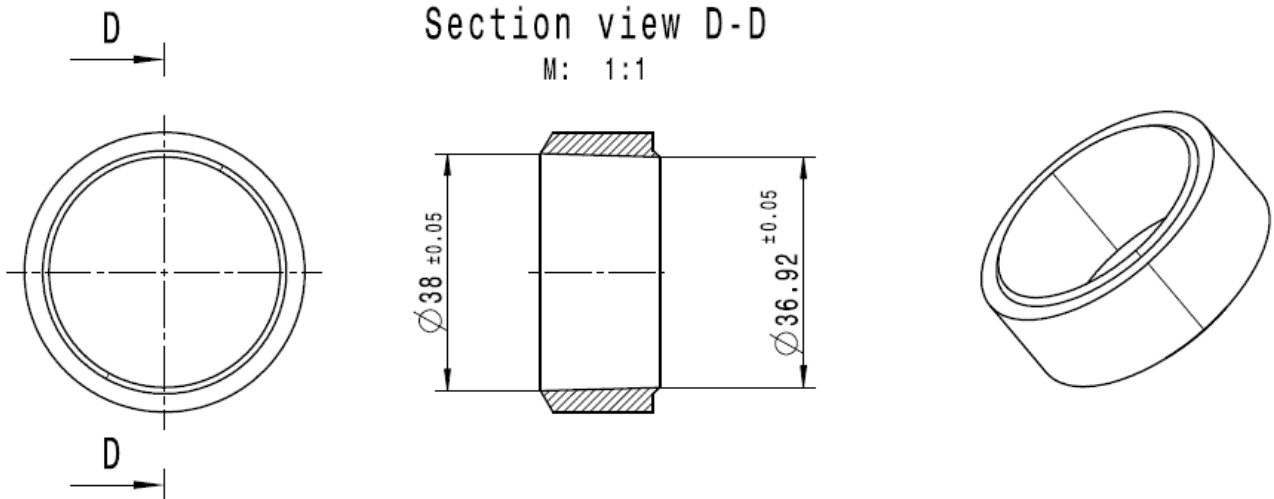


EUROPEAN LE MANS SERIES COMMITTEE

EUROPEAN
LE MANS
SERIES

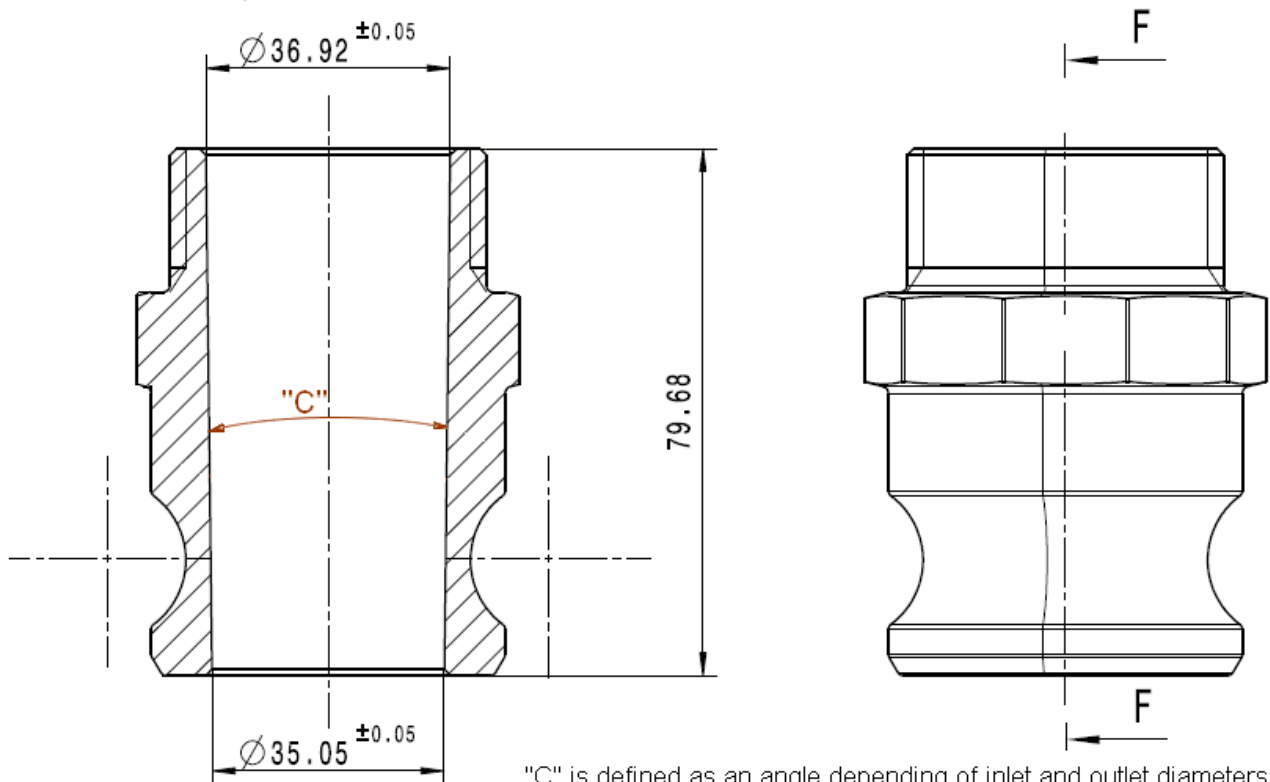
⑤ ADAPTOR RING

Pos. 5:
Adaptor ring



⑥ KAMLOCK

Pos. 6: Section view F-F
Kamloc adaptor M: 1:1

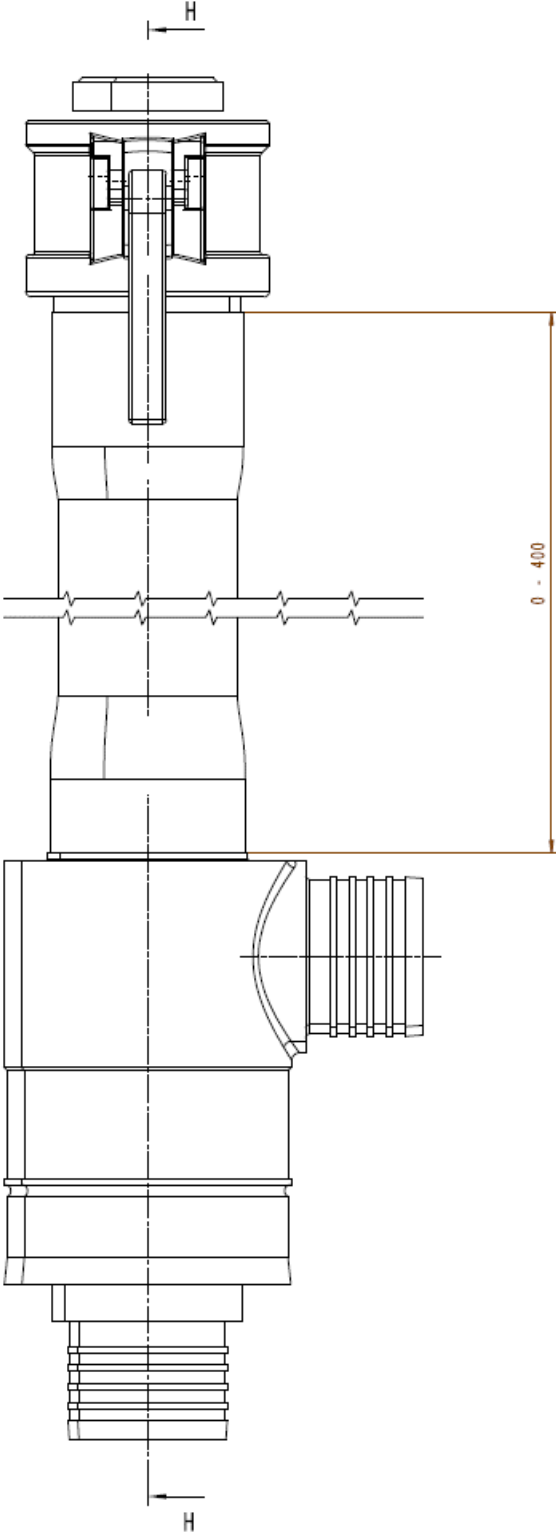


"C" is defined as an angle depending of inlet and outlet diameters



HOSE ASSEMBLY

EUROPEAN LE MANS SERIES COMMITTEE

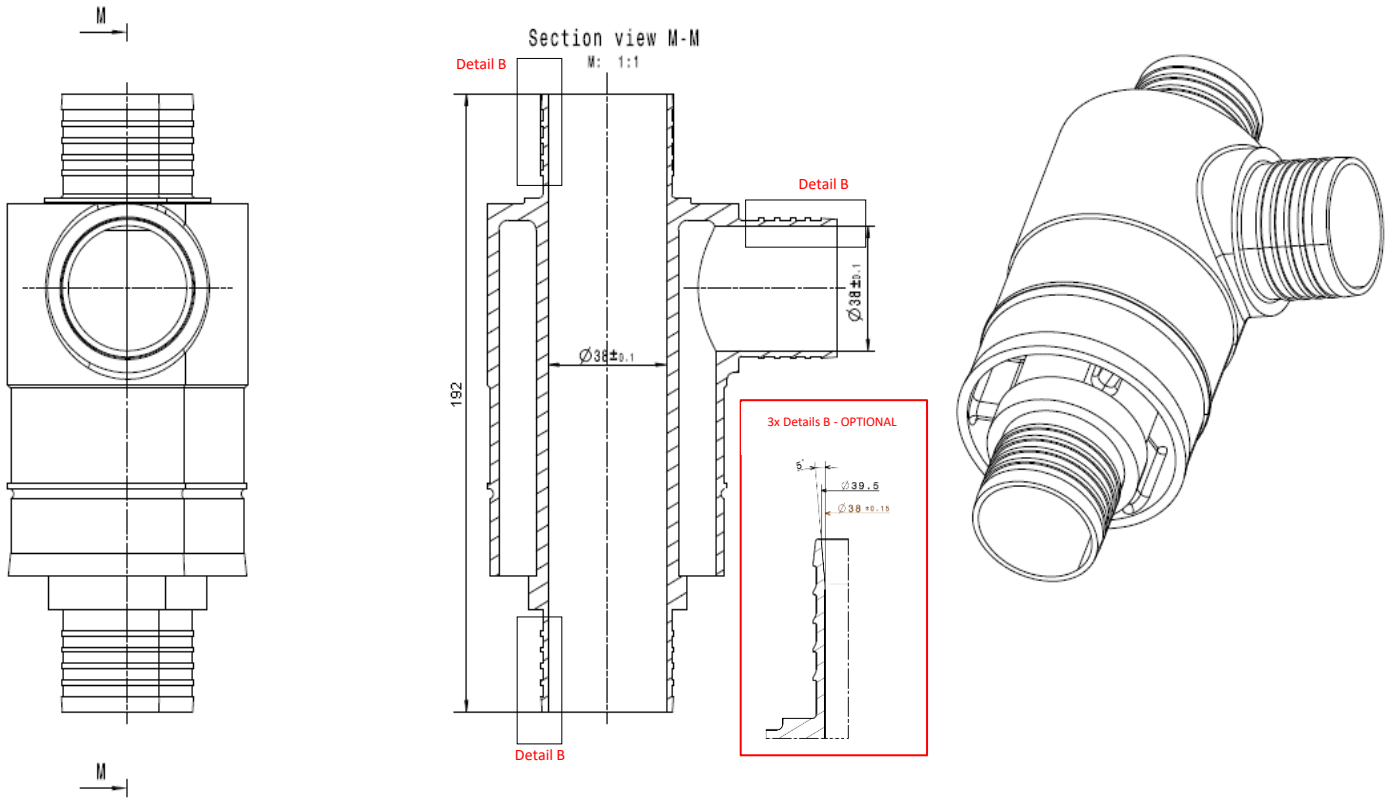




EUROPEAN LE MANS SERIES COMMITTEE

EUROPEAN
LE MANS
SERIES ★

DIVISOR



8/ GENERAL TOLERANCE

For all drawings, if no tolerance is specified please use norm ISO 2768 fH.

PERIOD OF VALIDITY/APPLICATION OF THE DECISION

This decision comes into effect:

- with immediate application**
- from:

And is applicable:

- until further notice**
- for the mentioned event(s) only