



EUROPEAN LE MANS SERIES COMMITTEE



TO: Teams Manufacturers

CATEGORY: LMP2 LMP3 LMGTE

DECISION N°: 19-D0001-LMP2-Refuelling_Amended_v2

DATE: 30/04/2019

FROM: The European Le Mans Series Committee

SUBJECT: Refuelling equipment for ELMS LMP2 cars – Amended v2

APPLICABLE REGULATION

2019 Technical Regulations for LMP2 Prototype Homologated in 2017

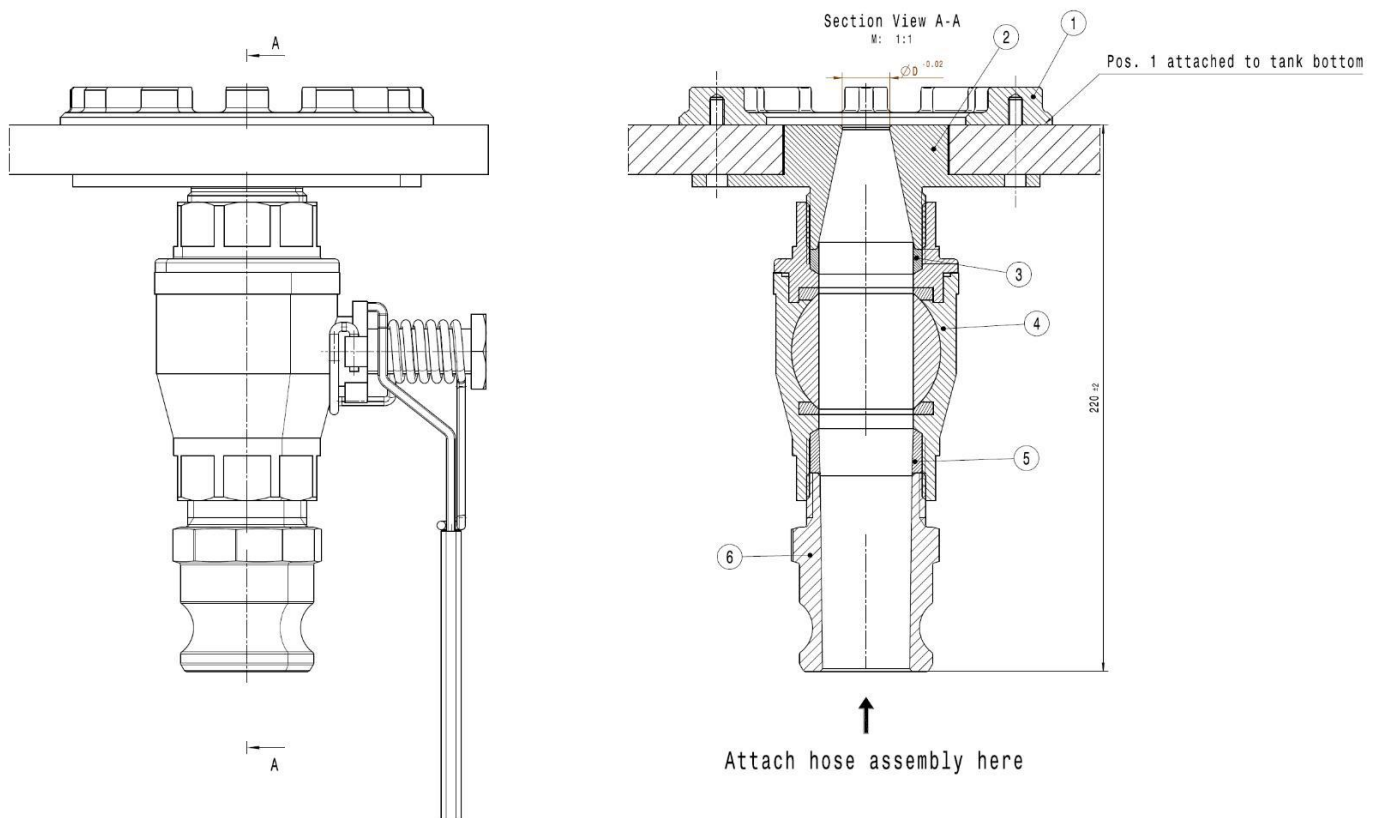
DECISION

The following precautions should be taken:

- 1) It isn't allowed to add any parts inside the prescribed rigid section and or inside the hose
- 2) Only a standard, not modified STAUBLI refueling nozzle can be used.
- 3) Unless stated otherwise, tolerances shall be unilateral: example $d = 39^{+0.1} \rightarrow 39.0 < d < 39.1$

The following functional dimensions will be mandatory for 2019 ELMS LMP2 refuelling equipment:

GENERAL OVERVIEW



Any decision taken by the European Le Mans Series Committee is not subject to appeal.

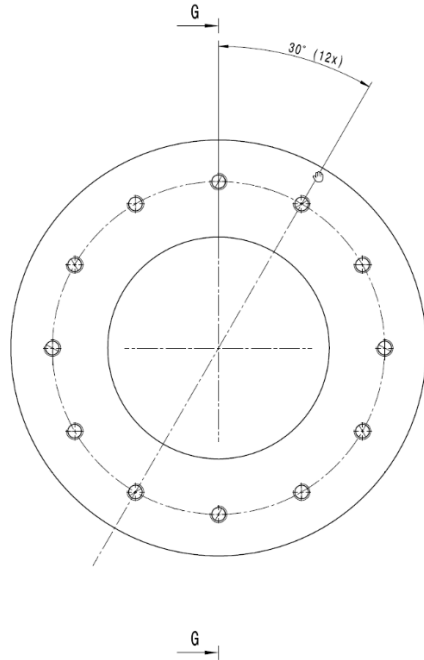


EUROPEAN LE MANS SERIES COMMITTEE

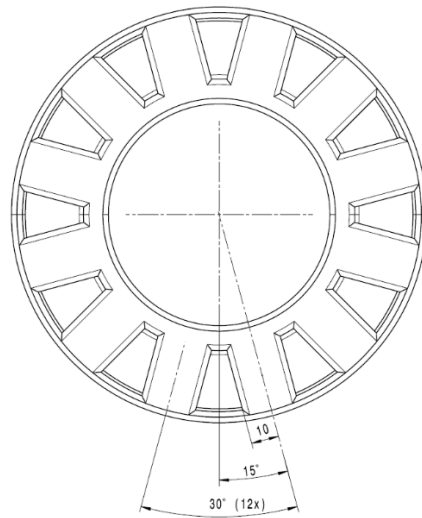
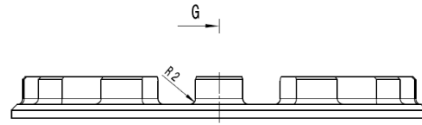
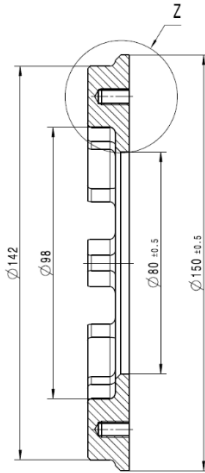


① NUT RING

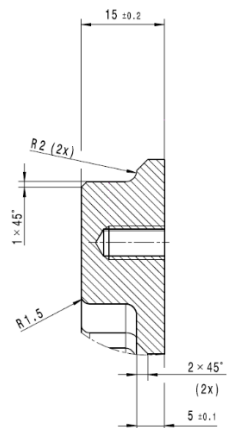
Pos. 1:
Nut Ring
M: 1:1



Section view G-G
M: 1:1



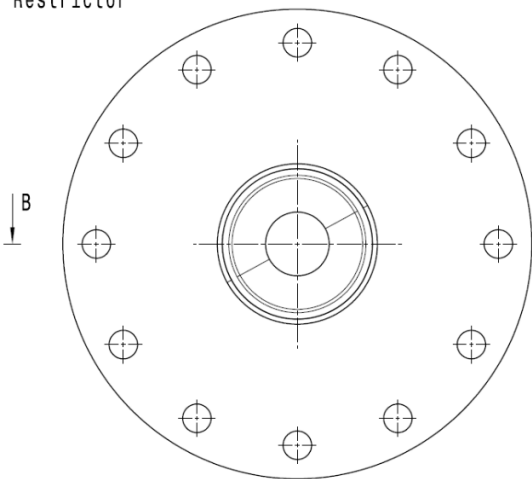
Detail Z
M: 2:1



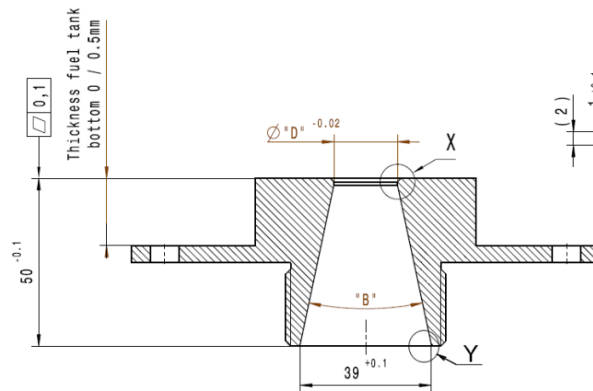
② RESTRICTOR

ELMS LMP2 restrictor diameter = 23.5 mm

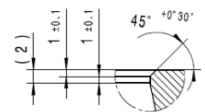
Pos. 2:
Restrictor



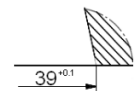
Section view B-B
M: 1:1



Detail X
M: 2:1



Detail Y
M: 2:1



$\varnothing 39$ is the exit diameter of the restrictor before the fillet is machined
"B" is defined as an angle depending of $\varnothing D^*$

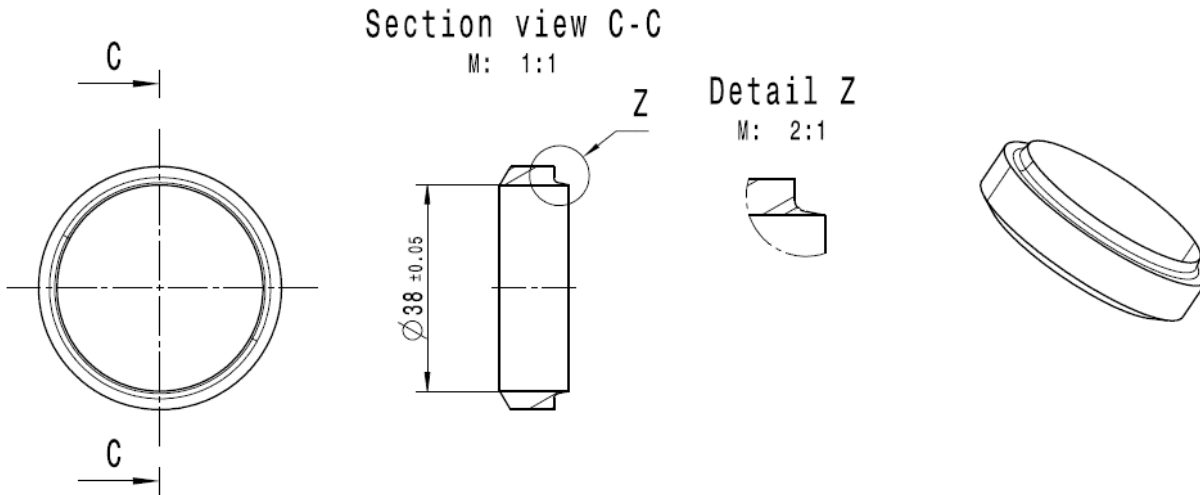


EUROPEAN LE MANS SERIES COMMITTEE



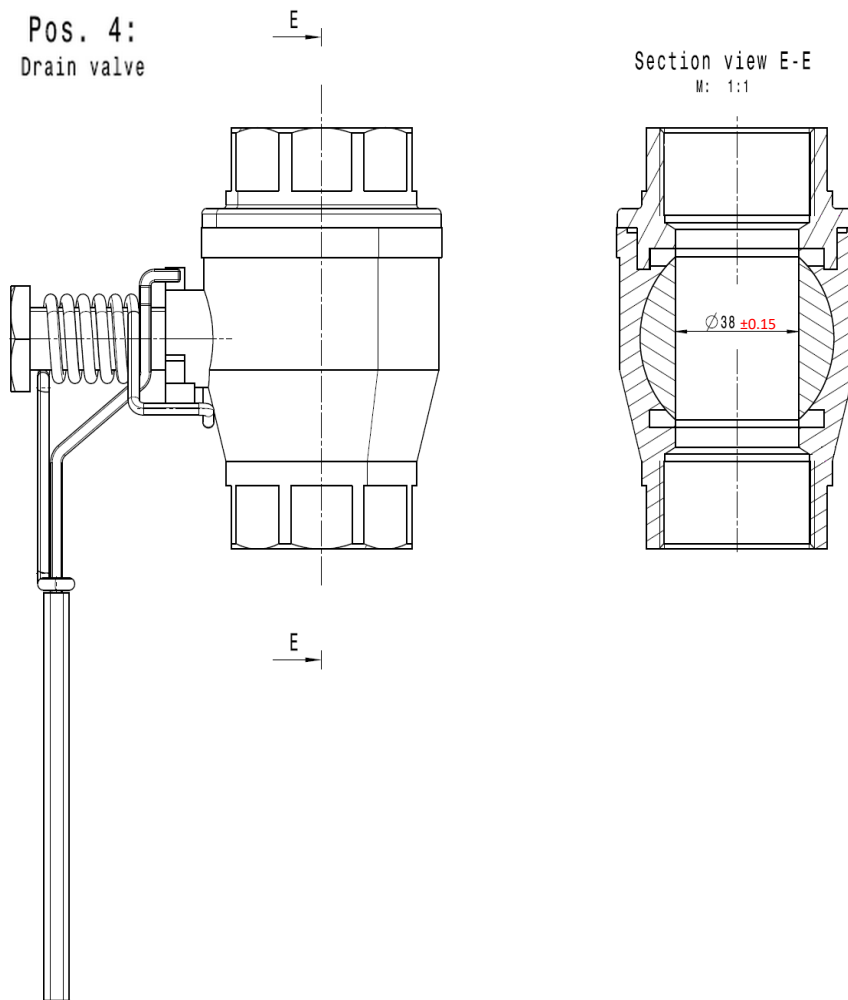
③ ADAPTOR RING

Pos. 3:
Adaptor ring



④ VALVE

Pos. 4:
Drain valve



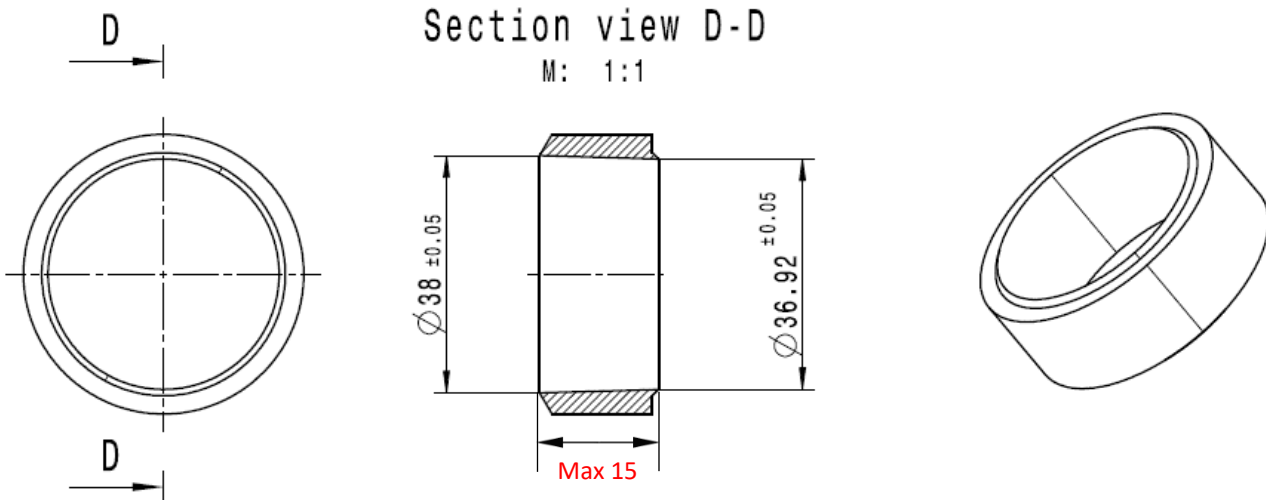


EUROPEAN LE MANS SERIES COMMITTEE



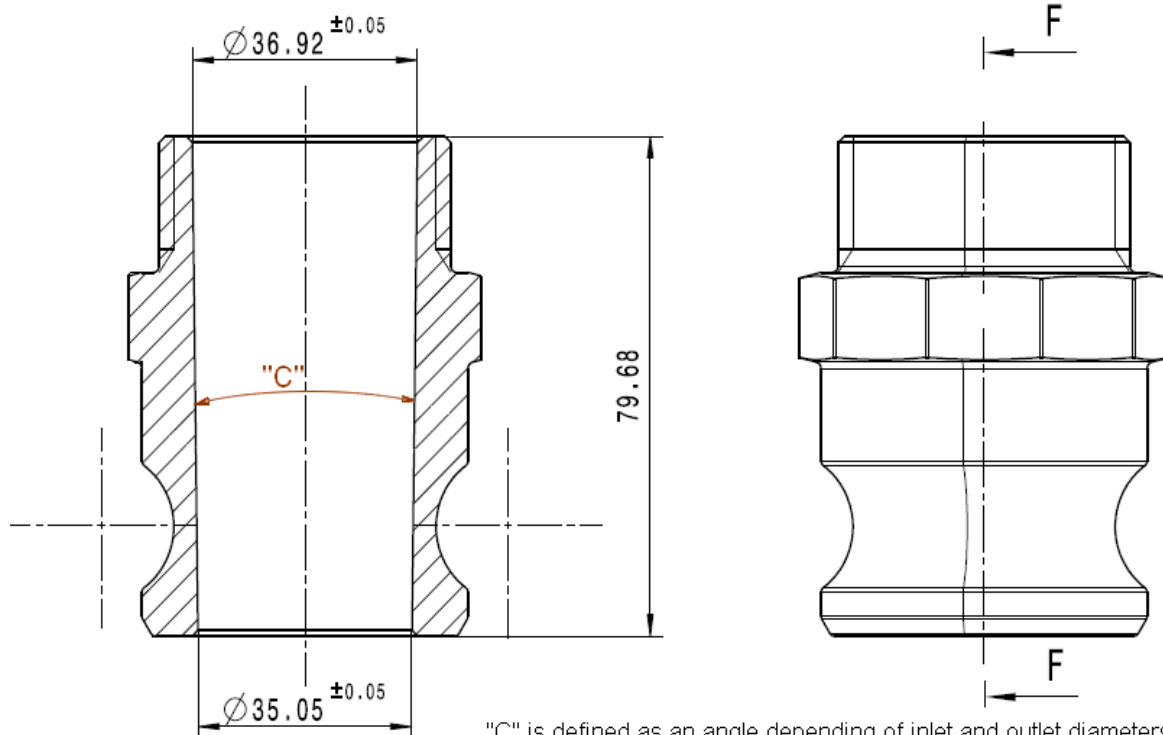
⑤ ADAPTOR RING

Pos. 5:
Adaptor ring



⑥ KAMLOCK

Pos. 6: Section view F-F
Kamloc adaptor



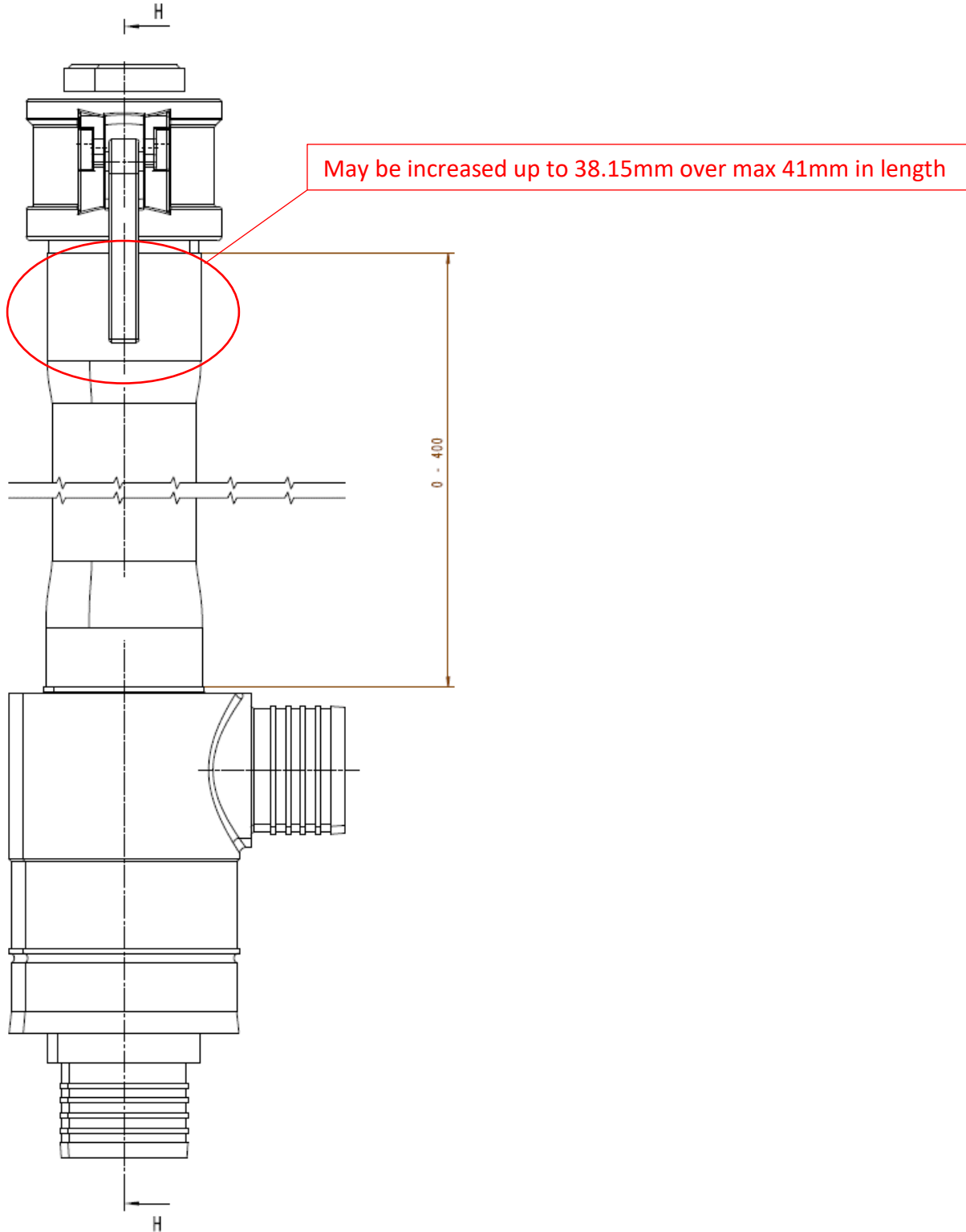
"C" is defined as an angle depending of inlet and outlet diameters
Diameter dimensions are dimensions before



EUROPEAN LE MANS SERIES COMMITTEE



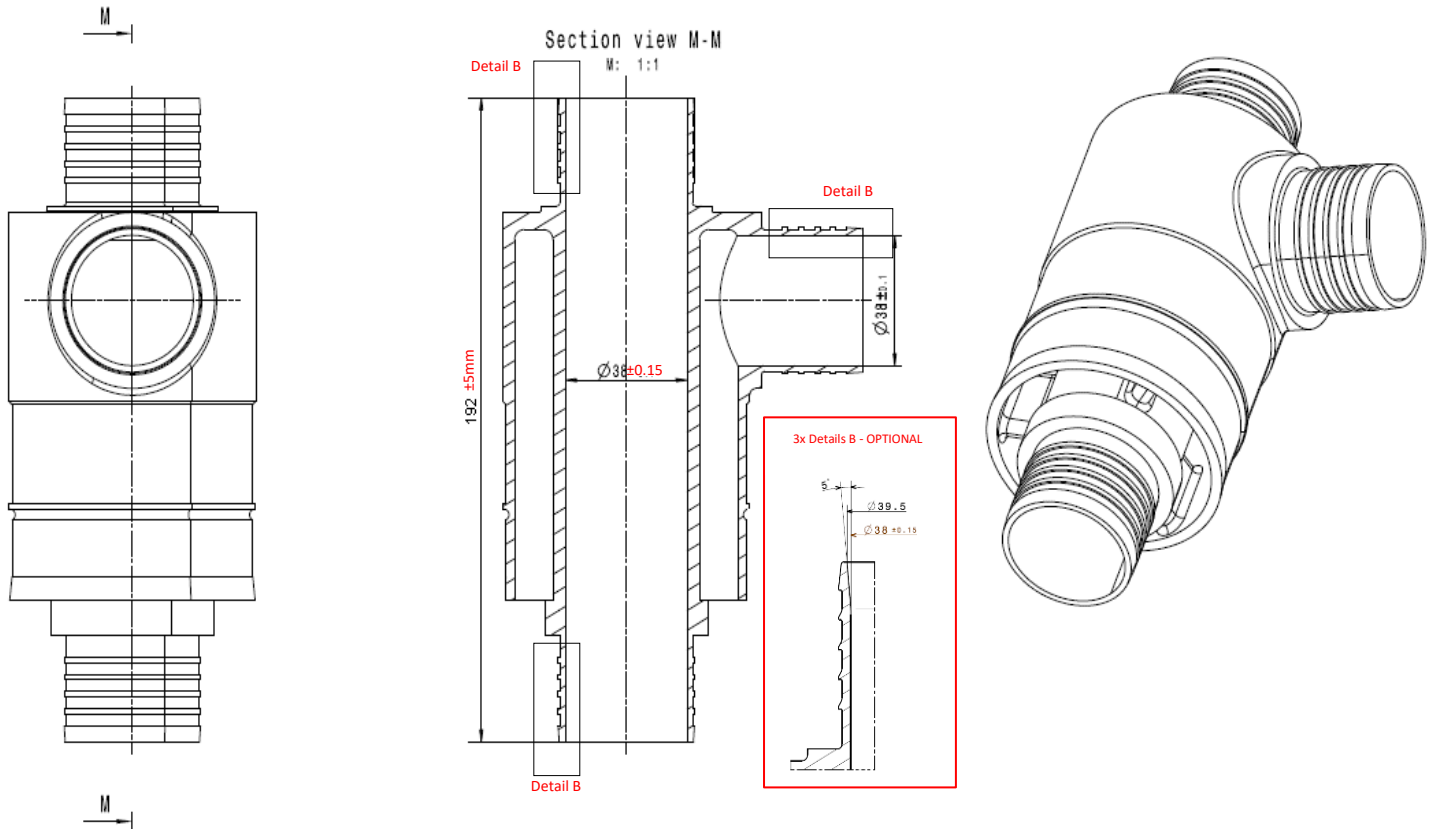
HOSE ASSEMBLY





EUROPEAN LE MANS SERIES COMMITTEE

EUROPEAN
LE MANS
SERIES



8/ GENERAL TOLERANCE

For all drawings, if no tolerance is specified please use norm ISO 2768 fH.

PERIOD OF VALIDITY/APPLICATION OF THE DECISION

This decision comes into effect:

- with immediate application
- from:

And is applicable:

- until further notice
- for the mentioned event(s) only