



# EUROPEAN LE MANS SERIES COMMITTEE



**TO:**  Teams  Manufacturers

**CATEGORY:**  LMP2  LMP3  LMGTE

**DECISION N°:** 19-D0001-LMP2-Refuelling\_Amended\_v3

**DATE:** 22/05/2019

**FROM:** The European Le Mans Series Committee

**SUBJECT:** Refuelling equipment for ELMS LMP2 cars – Amended v3

## APPLICABLE REGULATION

2019 Technical Regulations for LMP2 Prototype Homologated in 2017

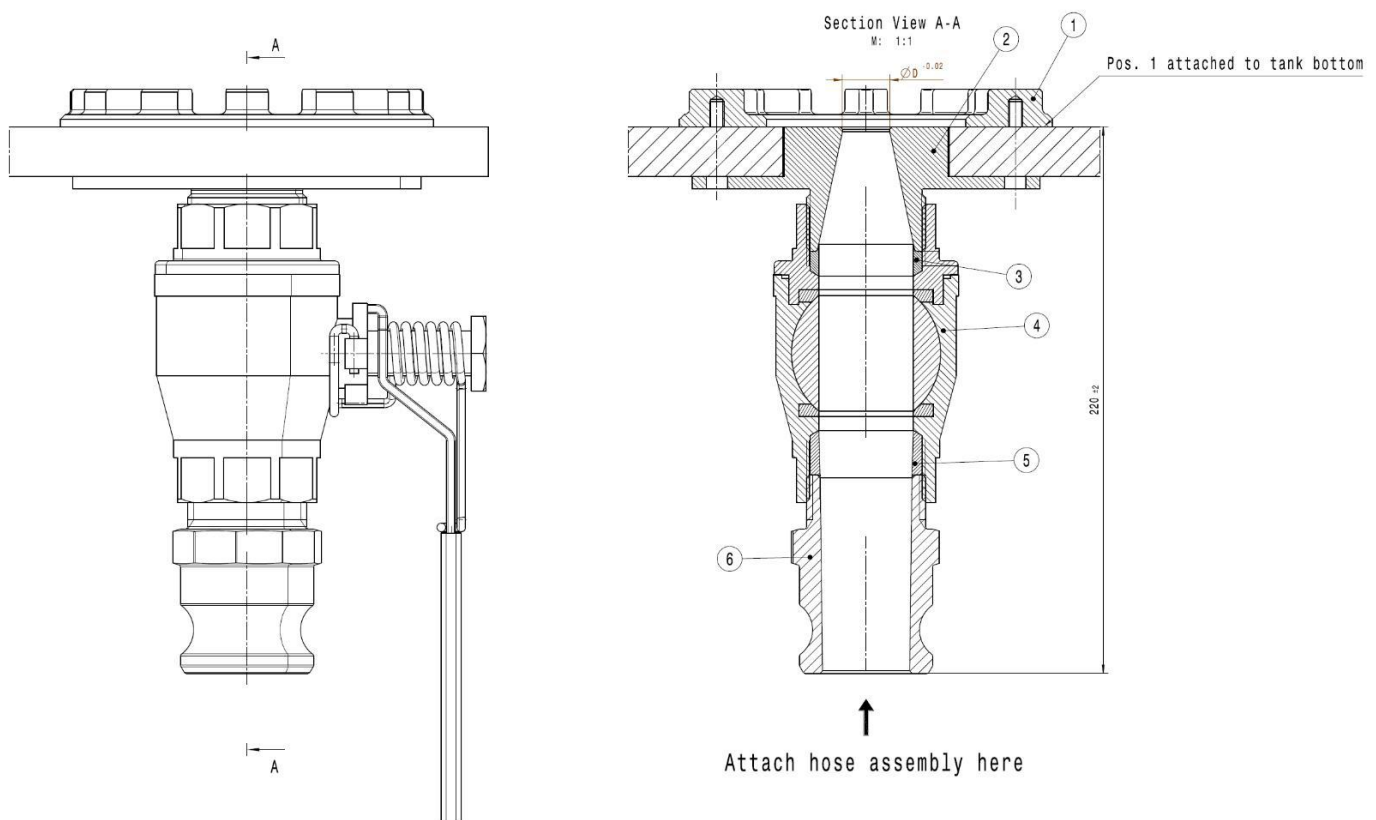
## DECISION

The following precautions should be taken:

- 1) It isn't allowed to add any parts inside the prescribed rigid section and or inside the hose
- 2) Only a standard, not modified STAUBLI refueling nozzle can be used.
- 3) Unless stated otherwise, tolerances shall be unilateral: example  $d = 39^{+0.1} \rightarrow 39.0 < d < 39.1$

The following functional dimensions will be mandatory for 2019 ELMS LMP2 refuelling equipment:

## GENERAL OVERVIEW



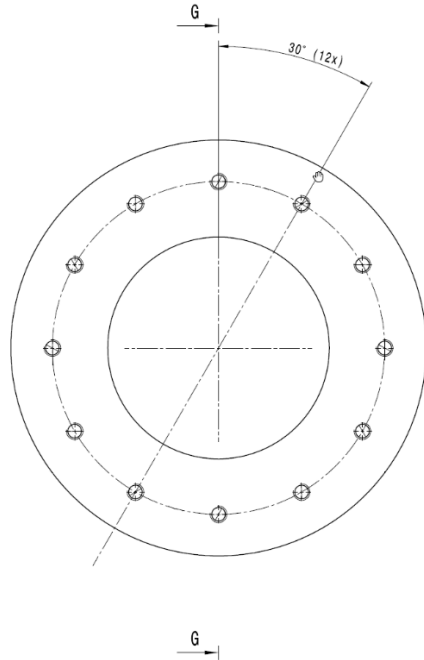


# EUROPEAN LE MANS SERIES COMMITTEE

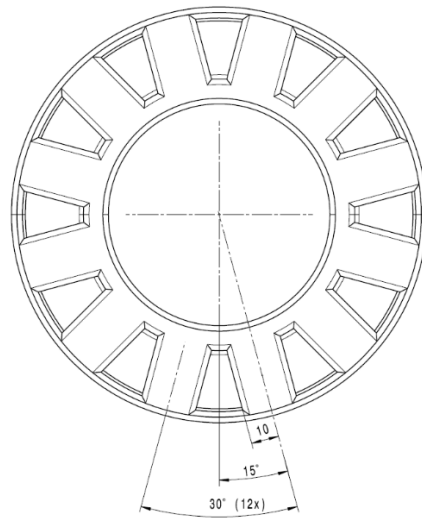
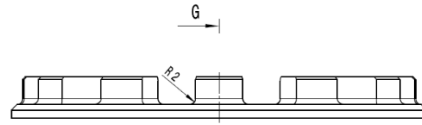
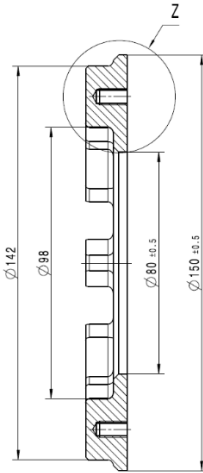


## ① NUT RING

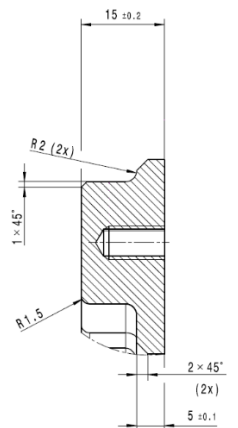
Pos. 1:  
Nut Ring  
M: 1:1



Section view G-G  
M: 1:1



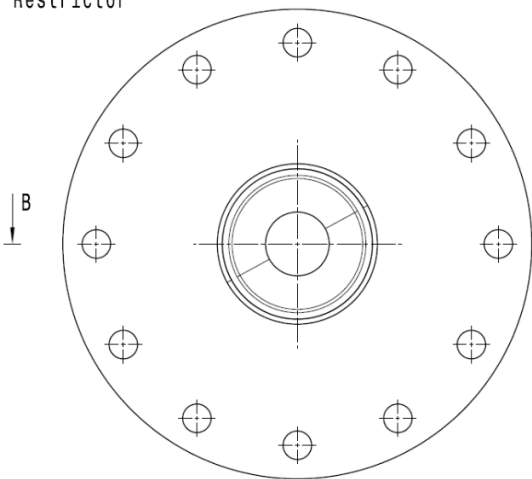
Detail Z  
M: 2:1



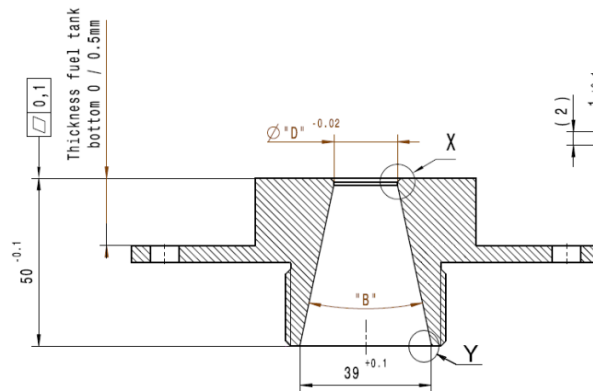
## ② RESTRICTOR

ELMS LMP2 restrictor diameter = 23.5 mm

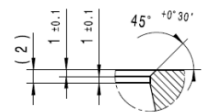
Pos. 2:  
Restrictor



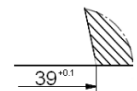
Section view B-B  
M: 1:1



Detail X  
M: 2:1



Detail Y  
M: 2:1



$\varnothing 39$  is the exit diameter of the restrictor before the fillet is machined  
"B" is defined as an angle depending of  $\varnothing D$

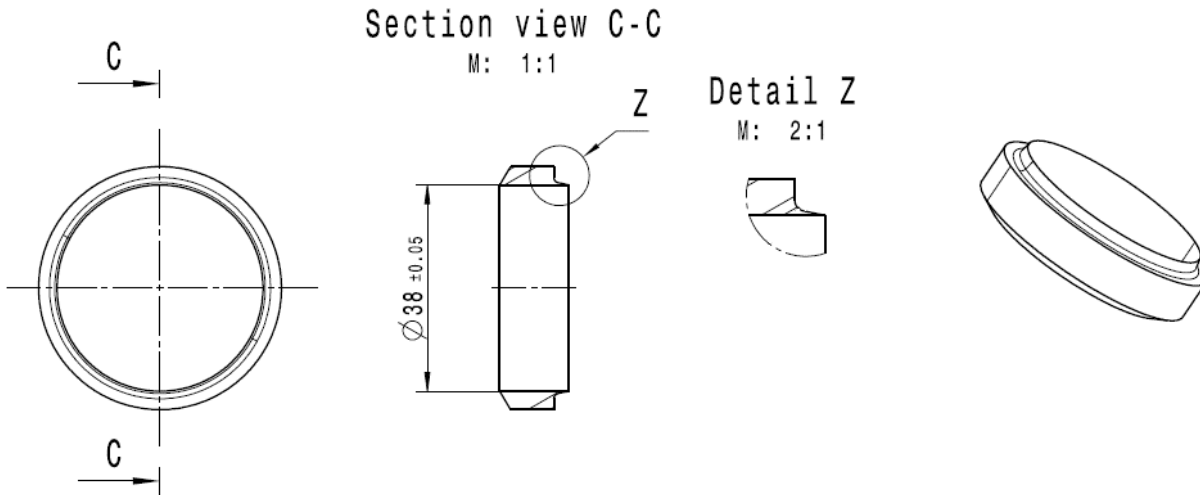


# EUROPEAN LE MANS SERIES COMMITTEE



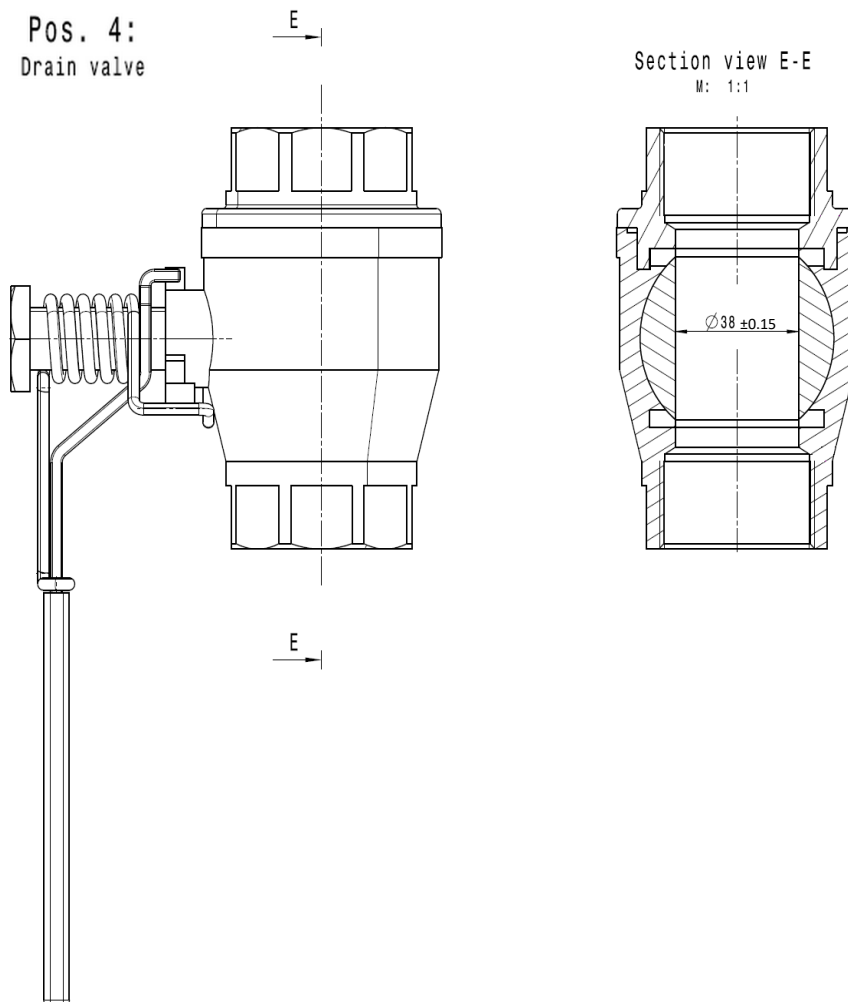
## ③ ADAPTOR RING

Pos. 3:  
Adaptor ring



## ④ VALVE

Pos. 4:  
Drain valve



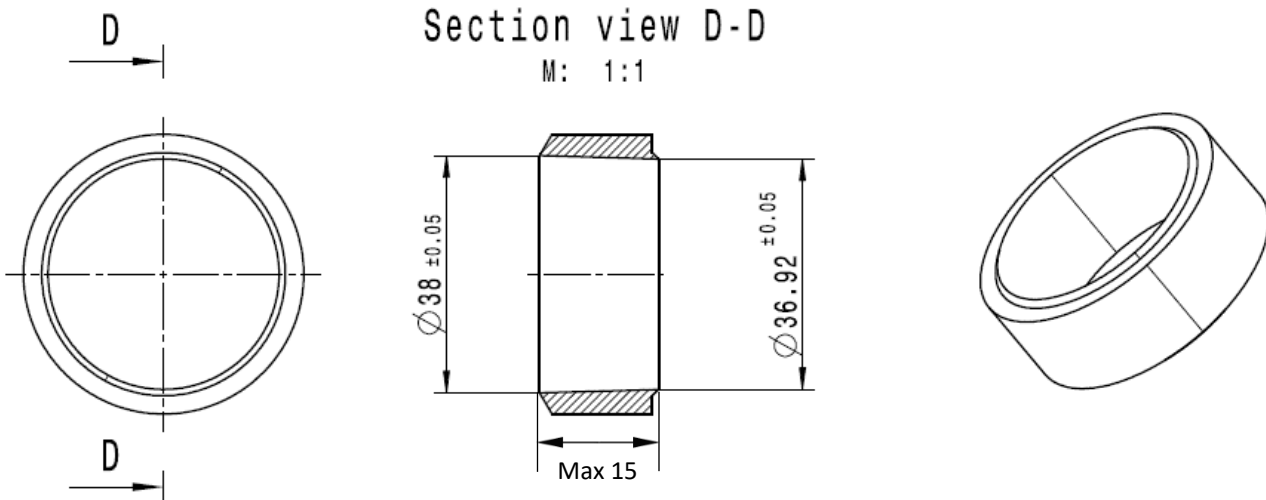


# EUROPEAN LE MANS SERIES COMMITTEE

EUROPEAN  
**LE MANS**  
SERIES ★ ★

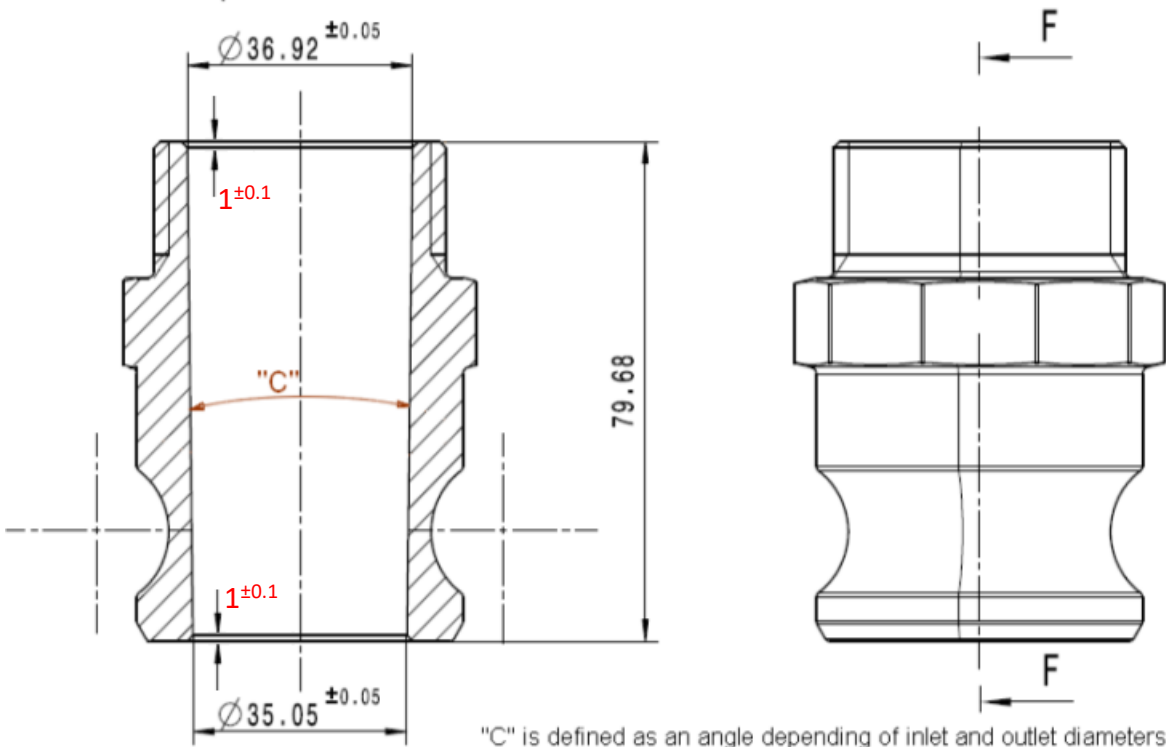
## ⑤ ADAPTOR RING

Pos. 5:  
Adaptor ring



## ⑥ KAMLOCK

Pos. 6: Section view F-F  
Kamloc adaptor M: 1:1



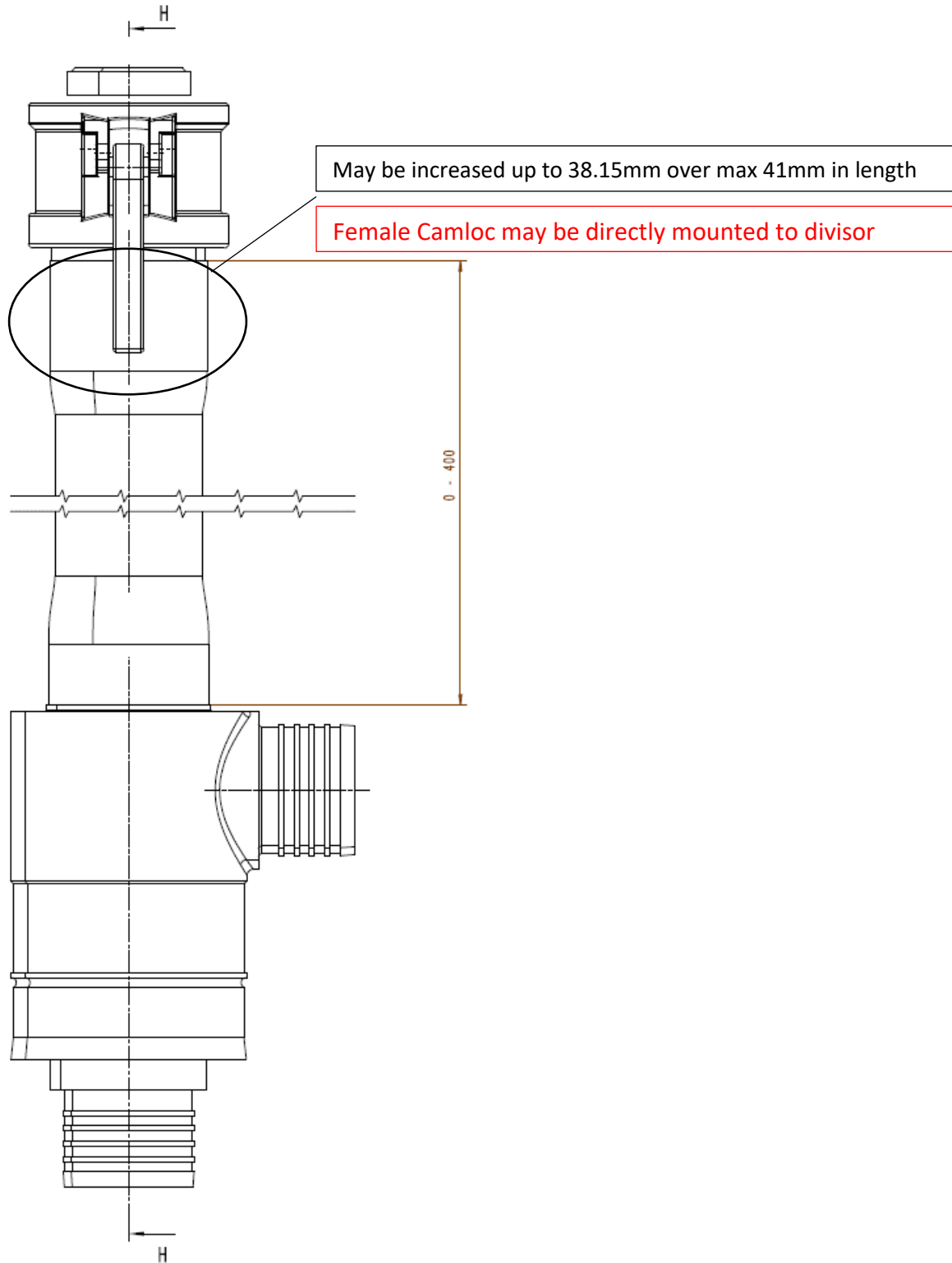
"C" is defined as an angle depending of inlet and outlet diameters



# EUROPEAN LE MANS SERIES COMMITTEE



HOSE ASSEMBLY

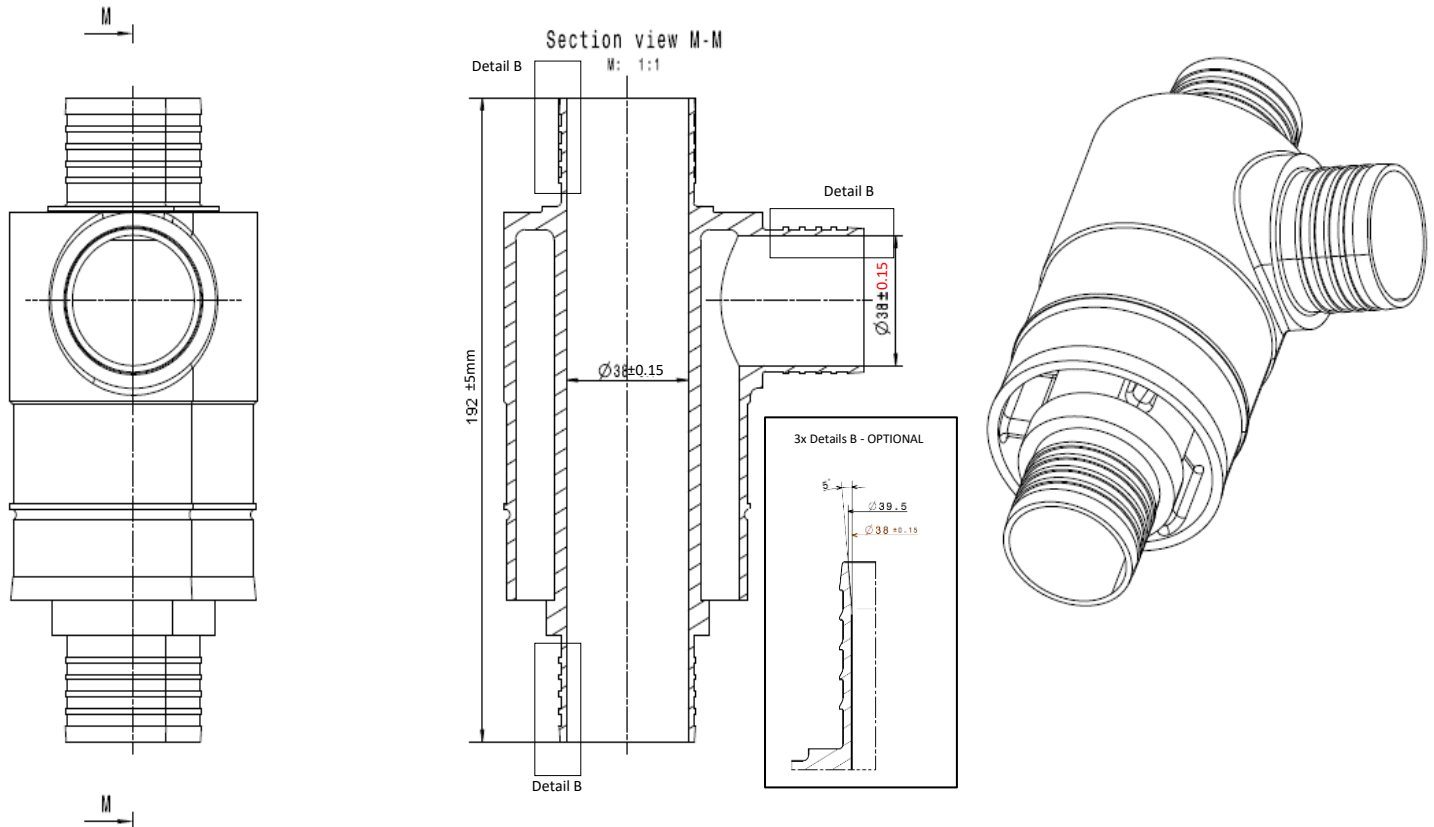




# EUROPEAN LE MANS SERIES COMMITTEE

EUROPEAN  
**LE MANS**  
SERIES

DIVISOR



## 8/ GENERAL TOLERANCE

For all drawings, if no tolerance is specified please use norm ISO 2768 fH.

### PERIOD OF VALIDITY/APPLICATION OF THE DECISION

This decision comes into effect:

- with immediate application
- from:

And is applicable:

- until further notice
- for the mentioned event(s) only