



EUROPEAN LE MANS SERIES COMMITTEE



TO: Teams Manufacturers

CATEGORY: LMP2 LMP3 LMGTE

DECISION N°: ELMS20_D0013_LMGTE_Success_Ballast_SPA

DATE: 28/07/2020

FROM: The European Le Mans Series Committee

SUBJECT: Success Ballast for the Spa Competition

APPLICABLE REGULATION

Article 6.3.4 2020 European Le Mans Series Sporting Regulations

DECISION

Please find below on page 2/3 the Success Ballast table.

PERIOD OF VALIDITY/APPLICATION OF THE DECISION

This decision comes into effect:

- with immediate application**
- from:

And is applicable:

- until further notice**
- for the above-mentioned Competition only

Any decision taken by the European Le Mans Series Committee is not subject to appeal.

<http://elms.alkamelsystems.com/>

SUCCESS BALLAST									
For:	51	55	60	66	74	77	83	93	98
HTTT	0	0	0	0	0	0	0	0	0
SPA	0	0	0	0	20	30	10	0	0
BARCELONA	0	0	0	0	10	15	5	0	0
MONZA	0	0	0	0	0	0	0	0	0
PORTIMAO	0	0	0	0	0	0	0	0	0

SUCCESS BALLAST - A: Course n-1									
For:	51	55	60	66	74	77	83	93	98
HTTT	0	0	0	0	0	0	0	0	0
SPA	0	0	0	0	10	15	5	0	0
BARCELONA	0	0	0	0	0	0	0	0	0
MONZA	0	0	0	0	0	0	0	0	0
PORTIMAO	0	0	0	0	0	0	0	0	0

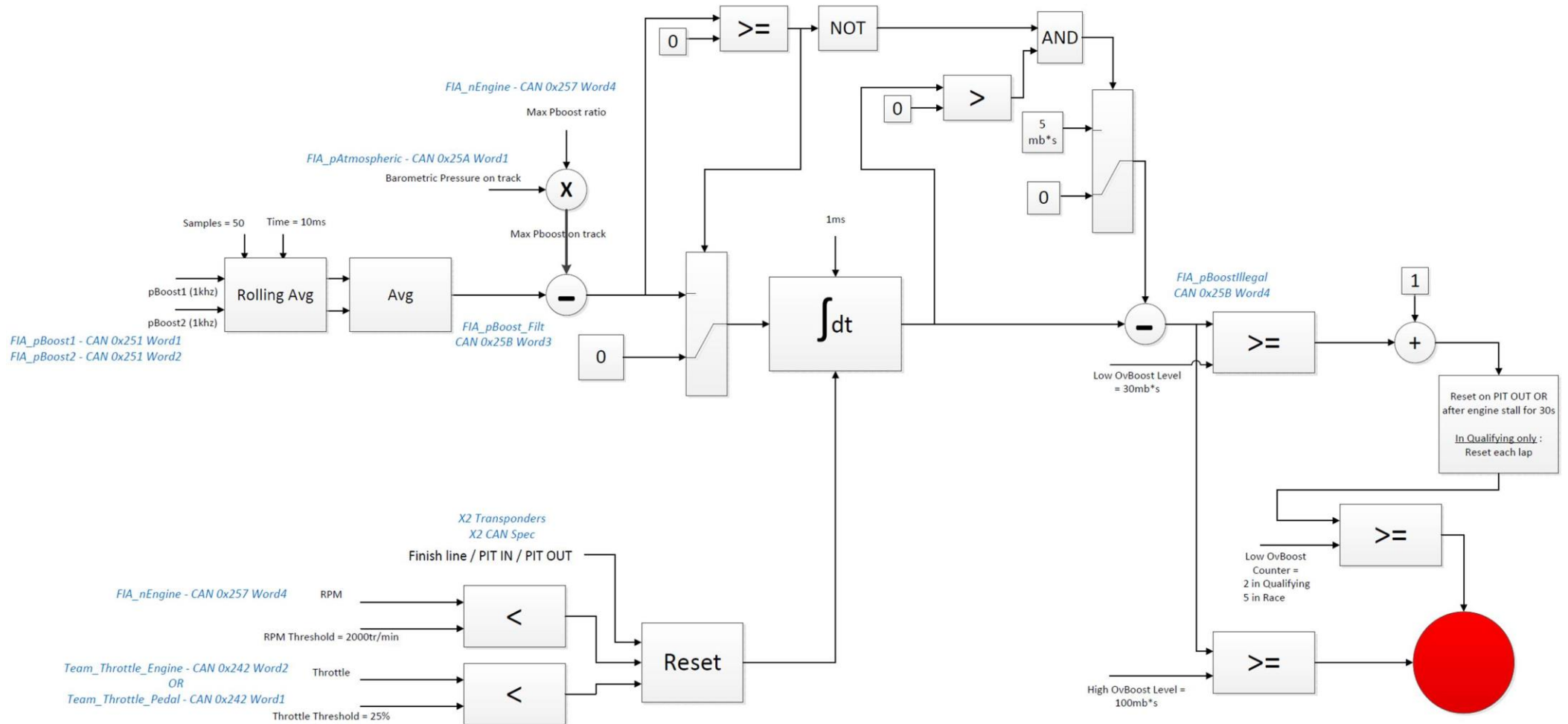
SUCCESS BALLAST - B: Course n-2									
For:	51	55	60	66	74	77	83	93	98
HTTT	0	0	0	0	0	0	0	0	0
SPA	0	0	0	0	0	0	0	0	0
BARCELONA	0	0	0	0	10	15	5	0	0
MONZA	0	0	0	0	0	0	0	0	0
PORTIMAO	0	0	0	0	0	0	0	0	0

SUCCESS BALLAST - C: Champ Pos									
For:	51	55	60	66	74	77	83	93	98
HTTT	0	0	0	0	0	0	0	0	0
SPA	0	0	0	0	10	15	5	0	0
BARCELONA	0	0	0	0	0	0	0	0	0
MONZA	0	0	0	0	0	0	0	0	0
PORTIMAO	0	0	0	0	0	0	0	0	0

Any decision taken by the European Le Mans Series Committee is not subject to appeal.

<http://elms.alkamelsystems.com/>

Maximum Boost Pressure Control Strategy



Any decision taken by the European Le Mans Series Committee is not subject to appeal.

<http://elms.alkamelsystems.com/>