



# EUROPEAN LE MANS SERIES COMMITTEE



**TO:**  Teams  Manufacturers

**CATEGORY:**  LMP2  LMP3  LMGTE

**DECISION N°:** ELMS20\_D0013\_LMGTE\_Success\_Ballast\_SPA\_Amended

**DATE:** 04/08/2020

**FROM:** The European Le Mans Series Committee

**SUBJECT:** Success Ballast for the Spa Competition

## APPLICABLE REGULATION

**Article 6.3.4**  2020 European Le Mans Series Sporting Regulations

## DECISION

Please find below on page 2/3 the Success Ballast table, amended.

## PERIOD OF VALIDITY/APPLICATION OF THE DECISION

This decision comes into effect:

- with immediate application**
- from:

And is applicable:

- until further notice**
- for the above-mentioned Competition only

Any decision taken by the European Le Mans Series Committee is not subject to appeal.

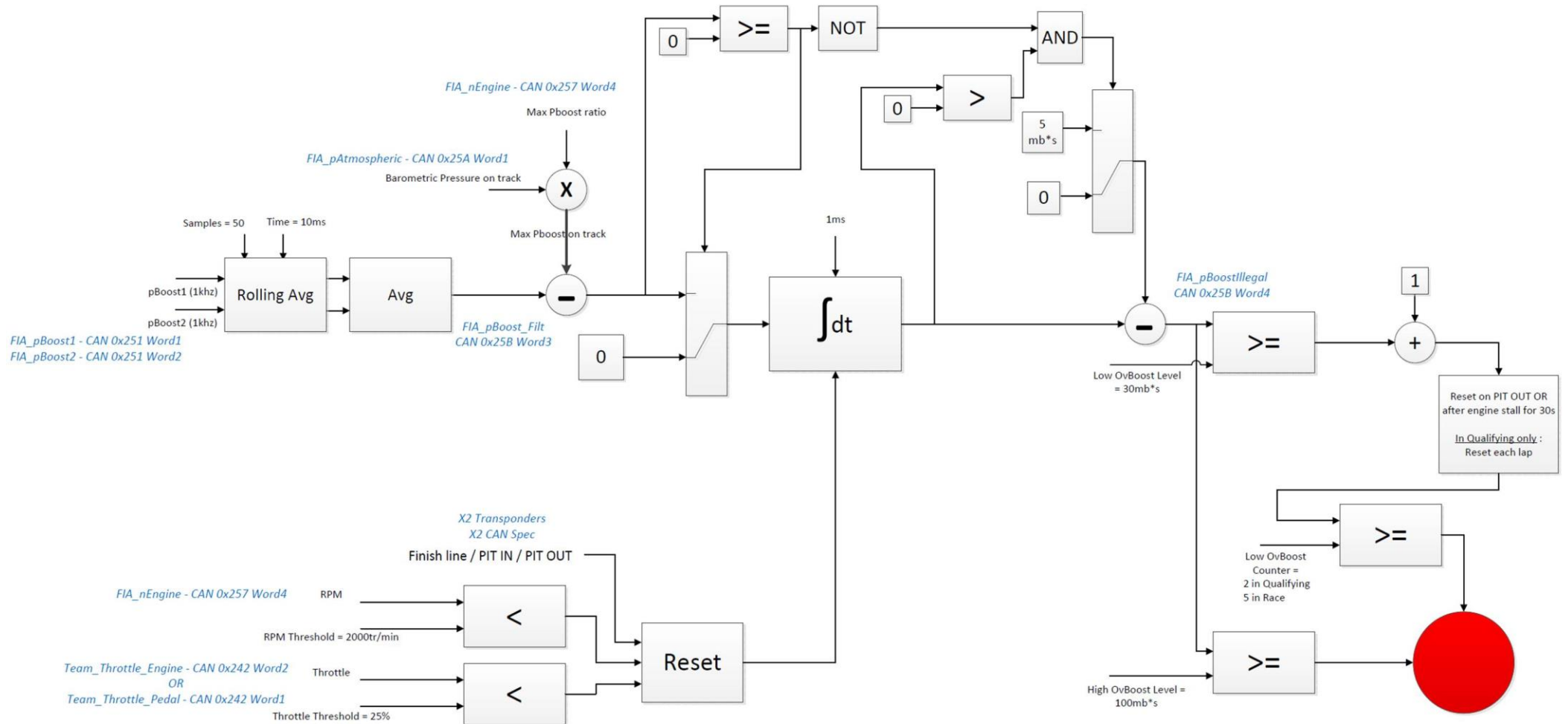
<http://elms.alkamelsystems.com/>

SUCCESS BALLAST									<i>Not entered in championship</i>			
For:	51	55	60	66	74	77	83	93	54	62	88	98
HTTT	0	0	0	0	0	0	0	0	0	0	0	0
SPA	0	0	0	0	20	30	10	0	15	15	15	15
BARCELONA	0	0	0	0	10	15	5	0	0	0	0	0
MONZA	0	0	0	0	0	0	0	0	0	0	0	0
PORTIMAO	0	0	0	0	0	0	0	0	0	0	0	0
SUCCESS BALLAST - A: Course n-1									<i>Not entered in championship</i>			
For:	51	55	60	66	74	77	83	93	54	62	88	98
HTTT	0	0	0	0	0	0	0	0	0	0	0	0
SPA	0	0	0	0	10	15	5	0	15	15	15	15
BARCELONA	0	0	0	0	0	0	0	0	0	0	0	0
MONZA	0	0	0	0	0	0	0	0	0	0	0	0
PORTIMAO	0	0	0	0	0	0	0	0	0	0	0	0
	0	0	0	0	0	0	0	0	0	0	0	0
SUCCESS BALLAST - B: Course n-2									<i>Not entered in championship</i>			
For:	51	55	60	66	74	77	83	93	54	62	88	98
HTTT	0	0	0	0	0	0	0	0	0	0	0	0
SPA	0	0	0	0	0	0	0	0	0	0	0	0
BARCELONA	0	0	0	0	10	15	5	0	0	0	0	0
MONZA	0	0	0	0	0	0	0	0	0	0	0	0
PORTIMAO	0	0	0	0	0	0	0	0	0	0	0	0
	0	0	0	0	0	0	0	0	0	0	0	0
SUCCESS BALLAST - C: Champ Pos									<i>Not entered in championship</i>			
For:	51	55	60	66	74	77	83	93	54	62	88	98
HTTT	0	0	0	0	0	0	0	0	0	0	0	0
SPA	0	0	0	0	10	15	5	0	0	0	0	0
BARCELONA	0	0	0	0	0	0	0	0	0	0	0	0
MONZA	0	0	0	0	0	0	0	0	0	0	0	0
PORTIMAO	0	0	0	0	0	0	0	0	0	0	0	0
	0	0	0	0	0	0	0	0	0	0	0	0

Any decision taken by the European Le Mans Series Committee is not subject to appeal.

<http://elms.alkamelsystems.com/>

## Maximum Boost Pressure Control Strategy



Any decision taken by the European Le Mans Series Committee is not subject to appeal.

<http://elms.alkamelsystems.com/>